

SCREW INFORMATION

Each railing is unique to us at Räckesbutiken. In order to create the best possible attachment for your railing, we do not use a universal screw, but choose the one that fits your railing best.

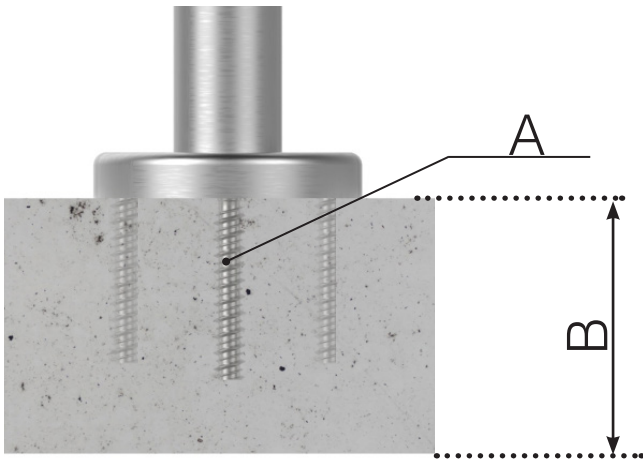
When you configure your railing, we select which screw fits best and then send the screw and accessories to you.

To see which screw your railing has, click on to overview in the configurator and look below “Screw”.

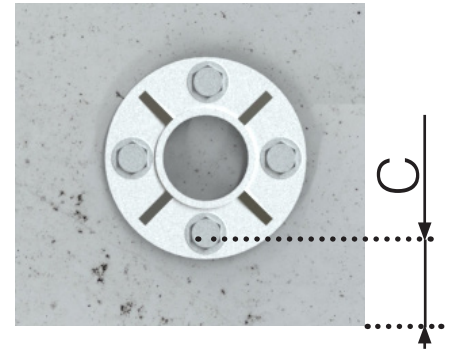
Below you can see which screws we use and which may be relevant for your railing.

SCREW FOR CONCRETE

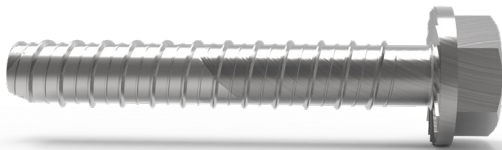
SCREW INFORMATION



SKRBE75X800

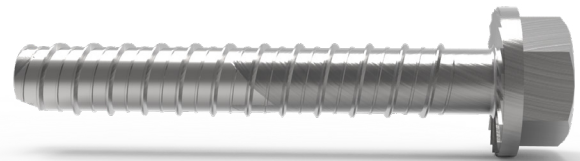


SKRBE10X90

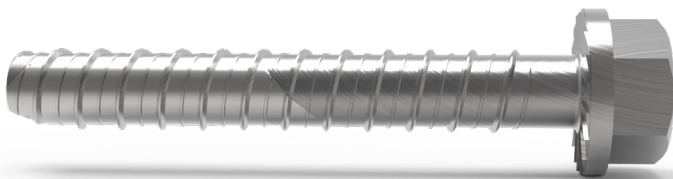


Dimensions (A) : 7,5x80 mm
Minimum attachment depth (B): 100 mm
Minimum distance from edge (C): 35 mm
Bit: Socket wrench 10 mm
Drill: 6 mm

SKRBE12X90



Dimensions (A) : 10x90mm
Minimum attachment depth (B): 115 mm
Minimum distance from edge (C): 45 mm
Bit: Socket wrench 13 mm
Drill: 8 mm



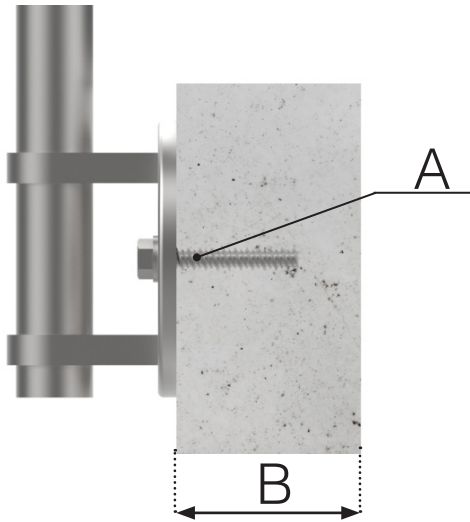
Dimensions (A): 12x90mm
Minimum attachment depth (B): 150 mm
Minimum distance from edge (C) : 50 mm
Bit: Socket wrench 15 mm
Drill: 10 mm

Please note that the drawings are not to scale

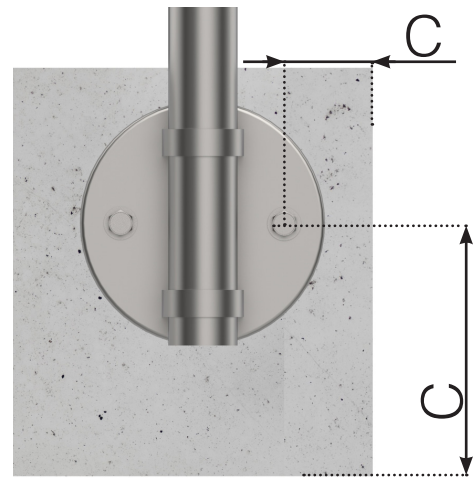
© Räckesbutiken Sweden AB - <https://www.balustradestore.eu/>
2020-11-09 v. 2.0

SCREW FOR CONCRETE

SCREW INFORMATION



SKRBE75X800



SKRBE10X90

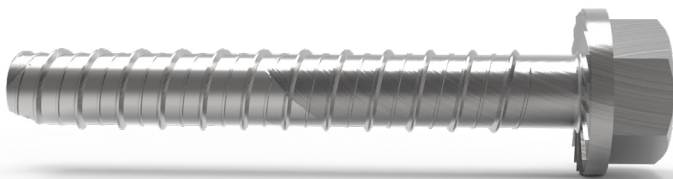


Dimensions (A) : 7,5x80 mm
Minimum attachment depth (B): 100 mm
Minimum distance from edge (C): 35 mm
Bit: Socket wrench 10 mm
Drill: 6 mm



Dimensions (A) : 10x90mm
Minimum attachment depth (B): 115 mm
Minimum distance from edge (C): 45 mm
Bit: Socket wrench 13 mm
Drill: 8 mm

SKRBE12X90



Dimensions (A): 12x90mm
Minimum attachment depth (B): 150 mm
Minimum distance from edge (C) : 50 mm
Bit: Socket wrench 15 mm
Drill: 10 mm

Please note that the drawings are not to scale

© Räckesbutiken Sweden AB - <https://www.balustradestore.eu/>
2020-11-09 v. 2.0