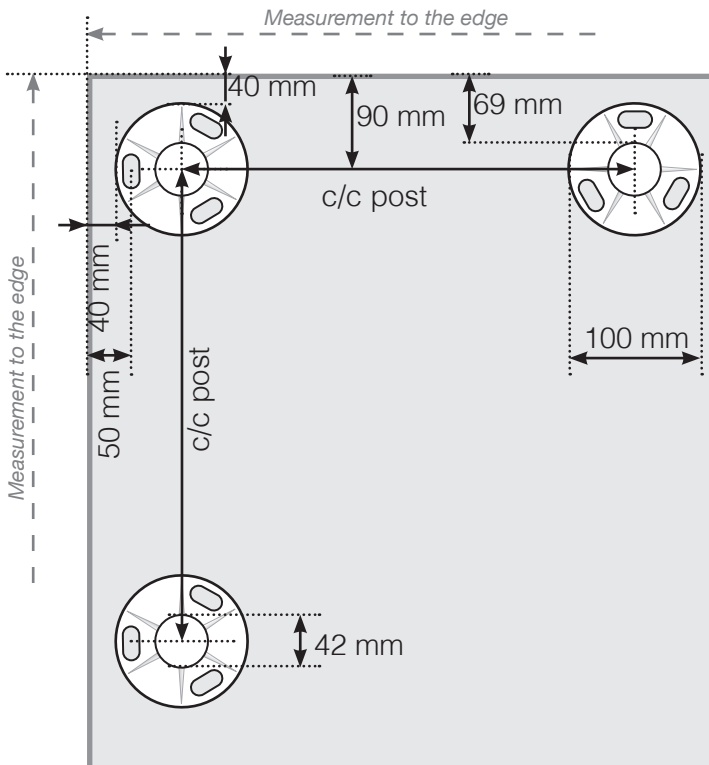


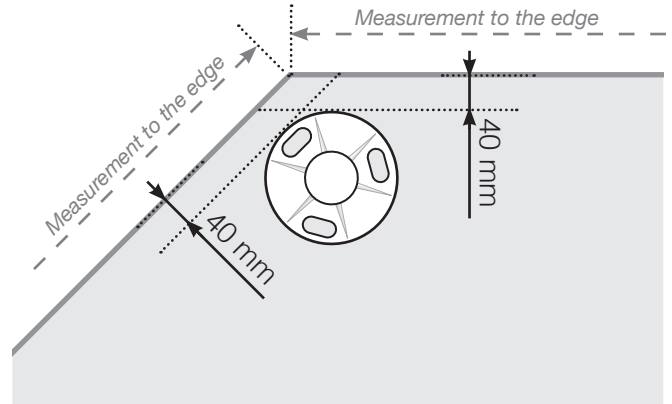
MEASUREMENT DIAGRAM

PLACEMENT - STAINLESS STEEL POSTS WITH FOOT 1kN
MOUNTING ON THE CONCRETE SUBSTRATE

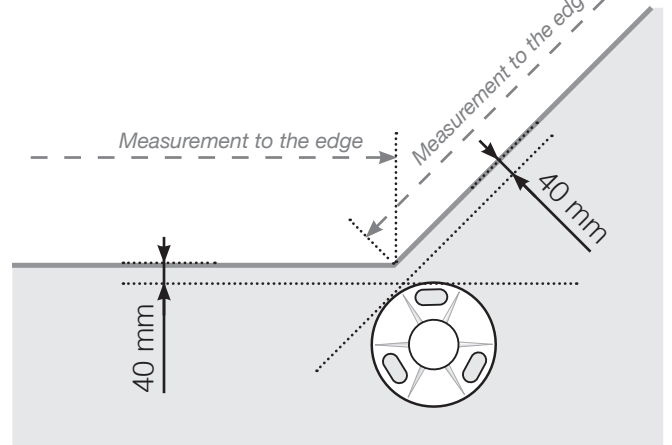
OUTER CORNER



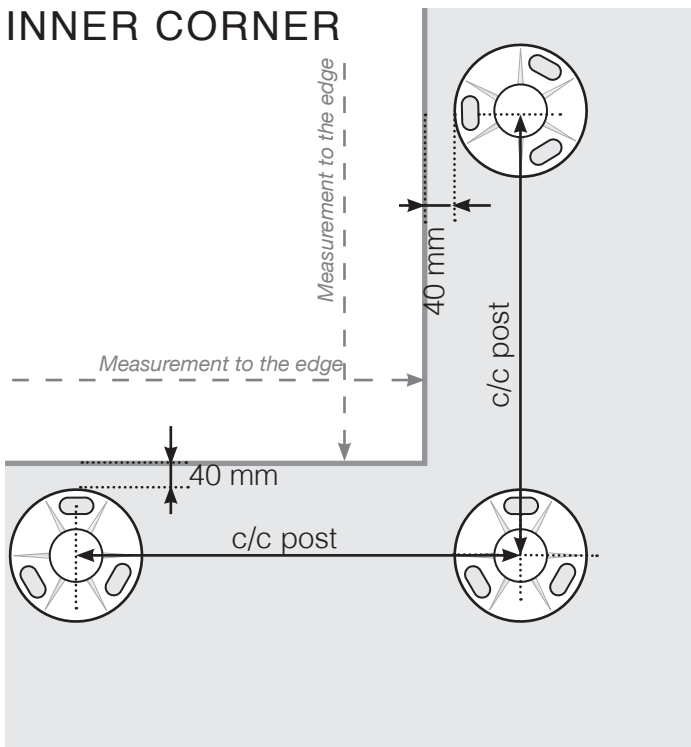
OUTER CORNER NOT 90°



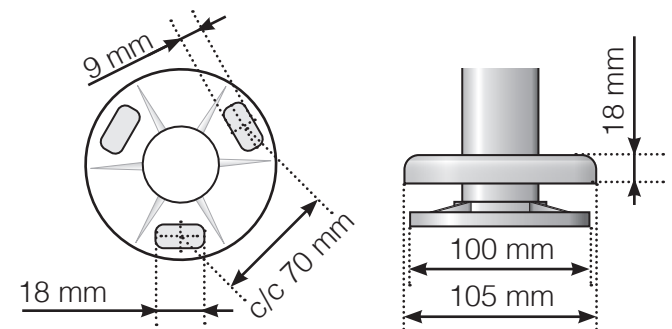
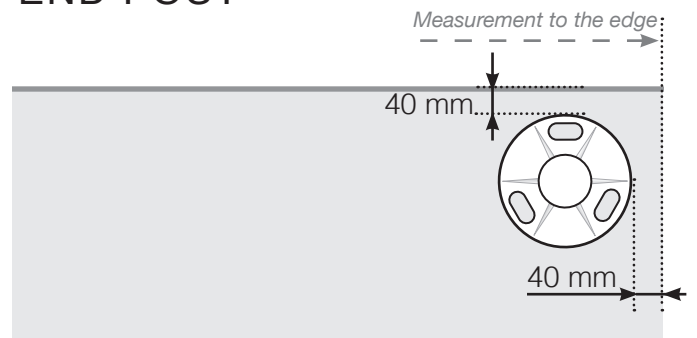
INNER CORNER NOT 90°



INNER CORNER



END POST



Please note that drawings are not to scale

© Räckesbutiken Sweden AB - www.balustradestore.eu
2022-10-10 v.1.0