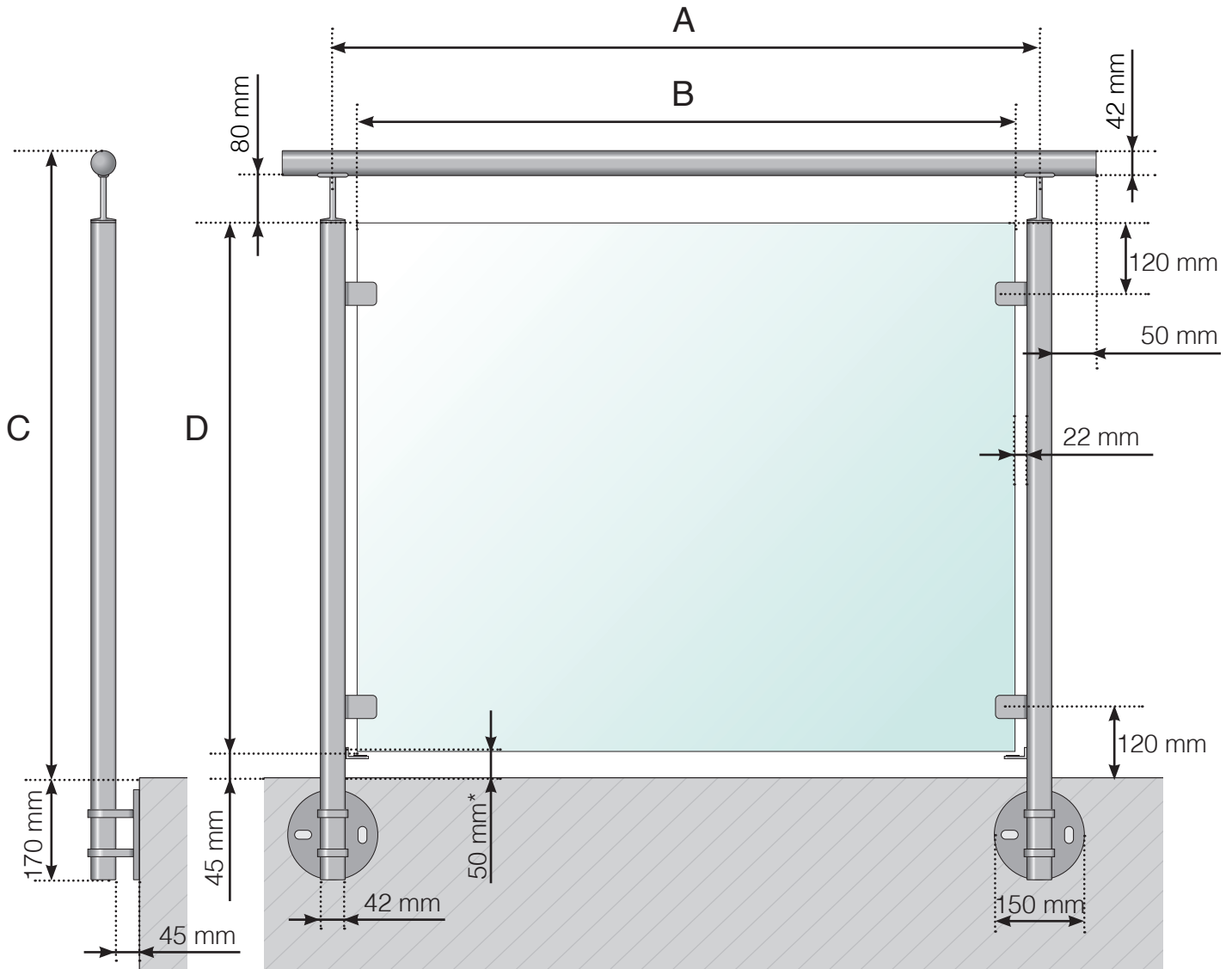


DETAILED MEASUREMENTS

STAINLESS STEEL RAILING MOUNTED ON THE OUTSIDE WITH A CROSS-BAR



A - The c/c dimensions of the posts depend on the length of the sides and number of sections

B - The width of the glass depends on the length of the sides and the number of sections

C - The total height of the railing from the floor surface

D - Glass height

* Optional fall protection

Please note that the drawings are not to scale

© Räckesbutiken Sweden AB - www.balustradestore.eu

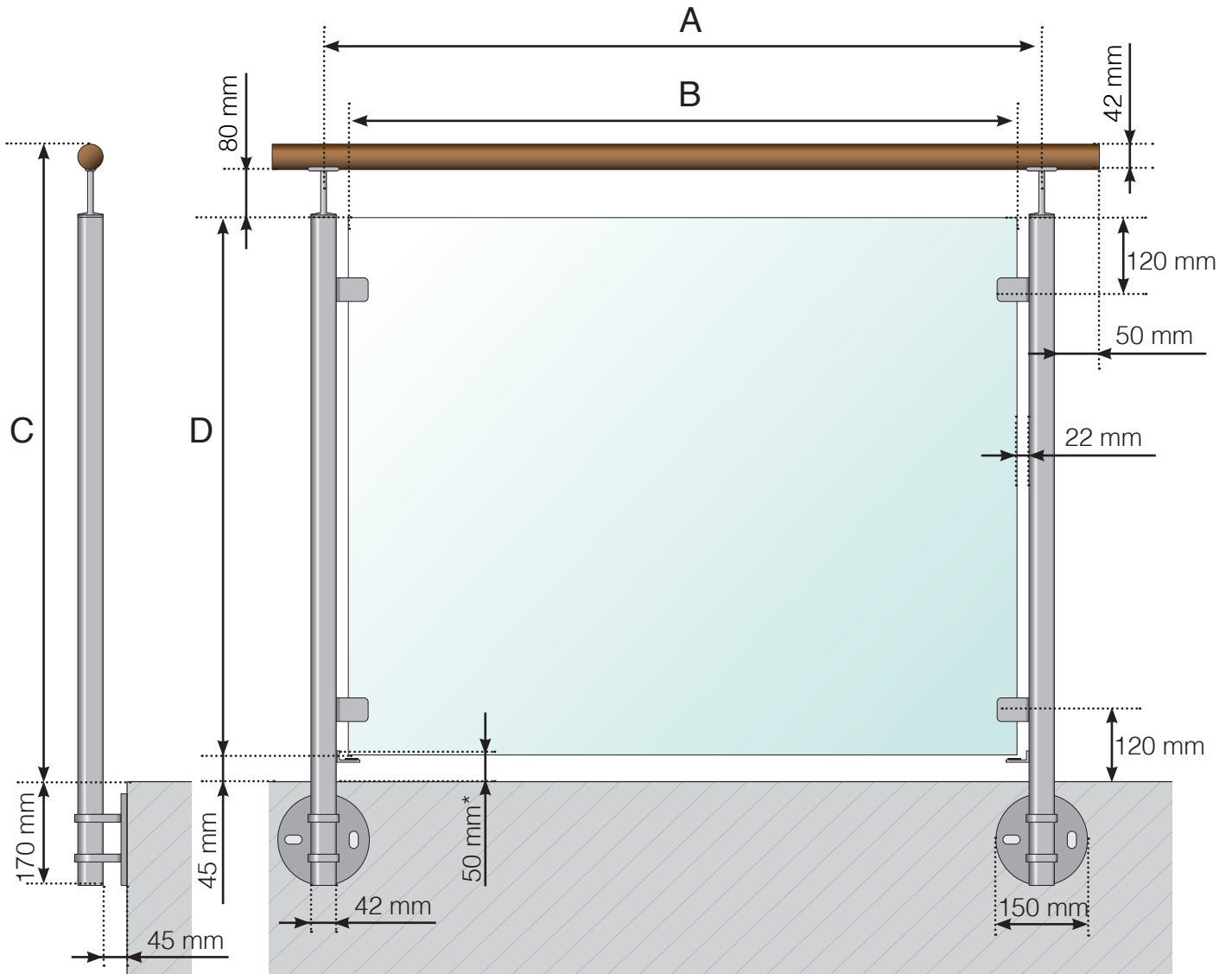
2022-10-10 v.1.0



BALUSTRADESTORE.EU

DETAILED MEASUREMENTS

STAINLESS STEEL RAILING MOUNTED ON THE OUTSIDE WITH A WOODEN CROSSBAR



A - The c/c dimensions of the posts depend on the length of the sides and number of sections

B - The width of the glass depends on the length of the sides and the number of sections

C - The total height of the railing from the floor surface

D - Glass height

* Optional fall protection

Please note that the drawings are not to scale

© Räckesbutiken Sweden AB - www.balustradestore.eu

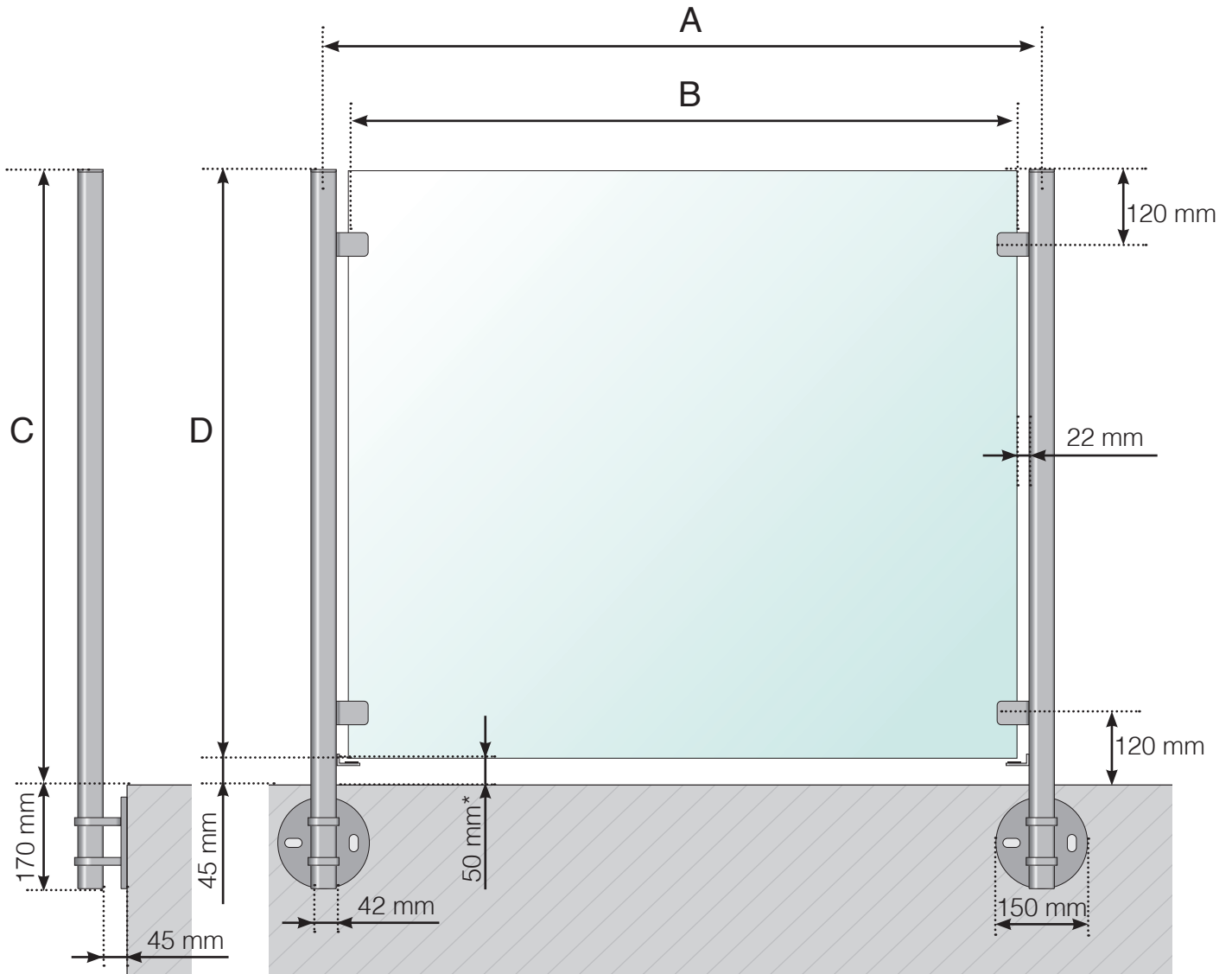
2022-10-10 v.1.0



BALUSTRADESTORE.EU

DETAILED MEASUREMENTS

STAINLESS STEEL RAILING MOUNTED ON THE OUTSIDE



- A - The c/c dimensions of the posts depend on the length of the sides and number of sections
- B - The width of the glass depends on the length of the sides and the number of sections
- C - The total height of the railing from the floor surface
- D - Glass height

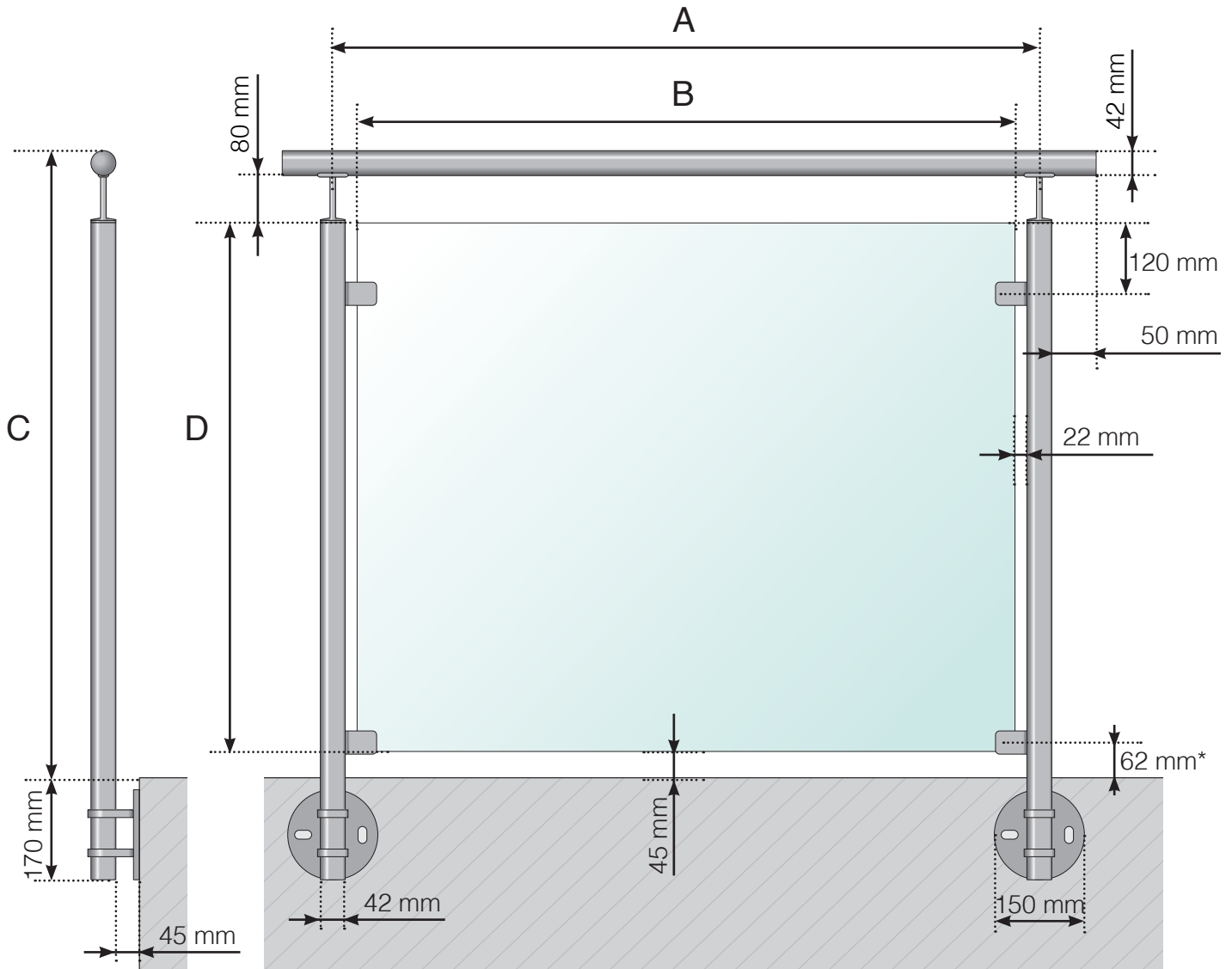
* Optional fall protection

Please note that the drawings are not to scale

© Räckesbutiken Sweden AB - www.balustradestore.eu
2022-10-10 v.1.0

DETAILED MEASUREMENTS

STAINLESS STEEL RAILING MOUNTED ON THE OUTSIDE WITH A CROSS-BAR



- A - The c/c dimensions of the posts depend on the length of the sides and number of sections
- B - The width of the glass depends on the length of the sides and the number of sections
- C - The total height of the railing from the floor surface
- D - Glass height

* Clamp with glass protection is an optional add-on

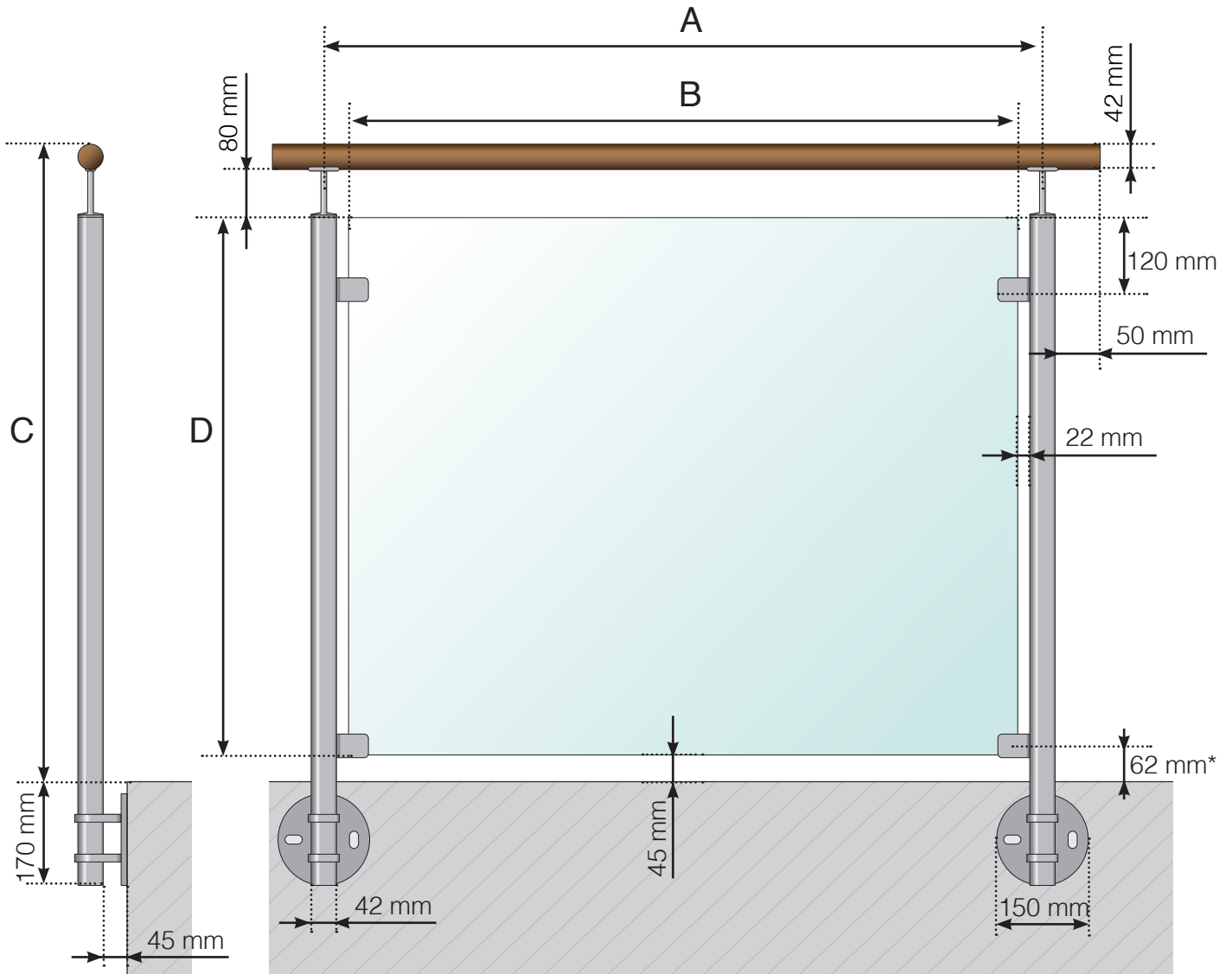
Please note that the drawings are not to scale

© Räckesbutiken Sweden AB - www.balustradestore.eu

2022-10-10 v.1.0

DETAILED MEASUREMENTS

STAINLESS STEEL RAILING MOUNTED ON THE OUTSIDE WITH A WOODEN CROSSBAR



A - The c/c dimensions of the posts depend on the length of the sides and number of sections

B - The width of the glass depends on the length of the sides and the number of sections

C - The total height of the railing from the floor surface

D - Glass height

* Clamp with glass protection is an optional add-on

Please note that the drawings are not to scale

© Räckesbutiken Sweden AB - www.balustradestore.eu

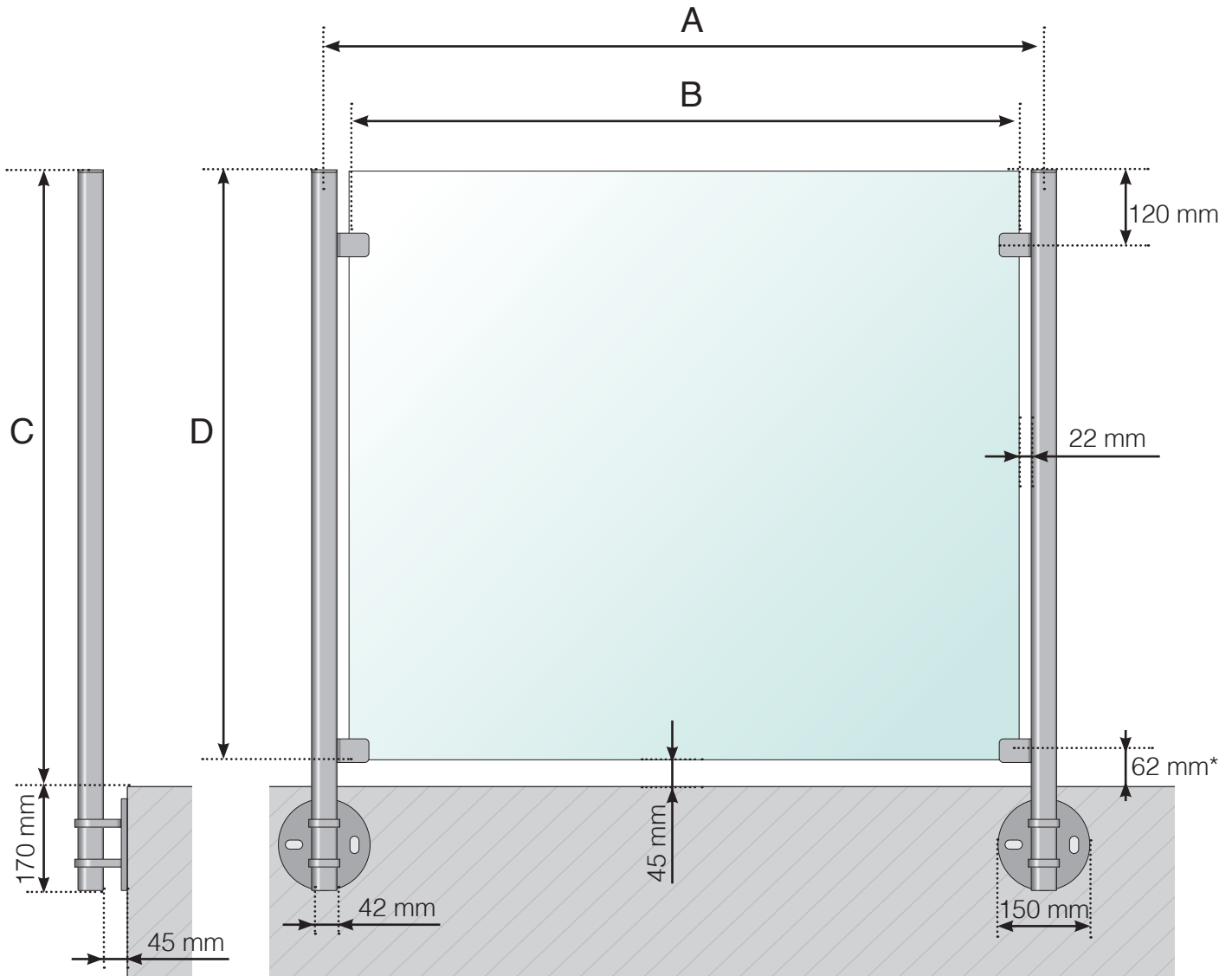
2022-10-10 v.1.0



BALUSTRADESTORE.EU

DETAILED MEASUREMENTS

STAINLESS STEEL RAILING MOUNTED ON THE OUTSIDE



A - The c/c dimensions of the posts depend on the length of the sides and number of sections

B - The width of the glass depends on the length of the sides and the number of sections

C - The total height of the railing from the floor surface

D - Glass height

* Clamp with glass protection is an optional add-on

Please note that the drawings are not to scale

© Räckesbutiken Sweden AB - www.balustradestore.eu

2022-10-10 v.1.0



BALUSTRADESTORE.EU